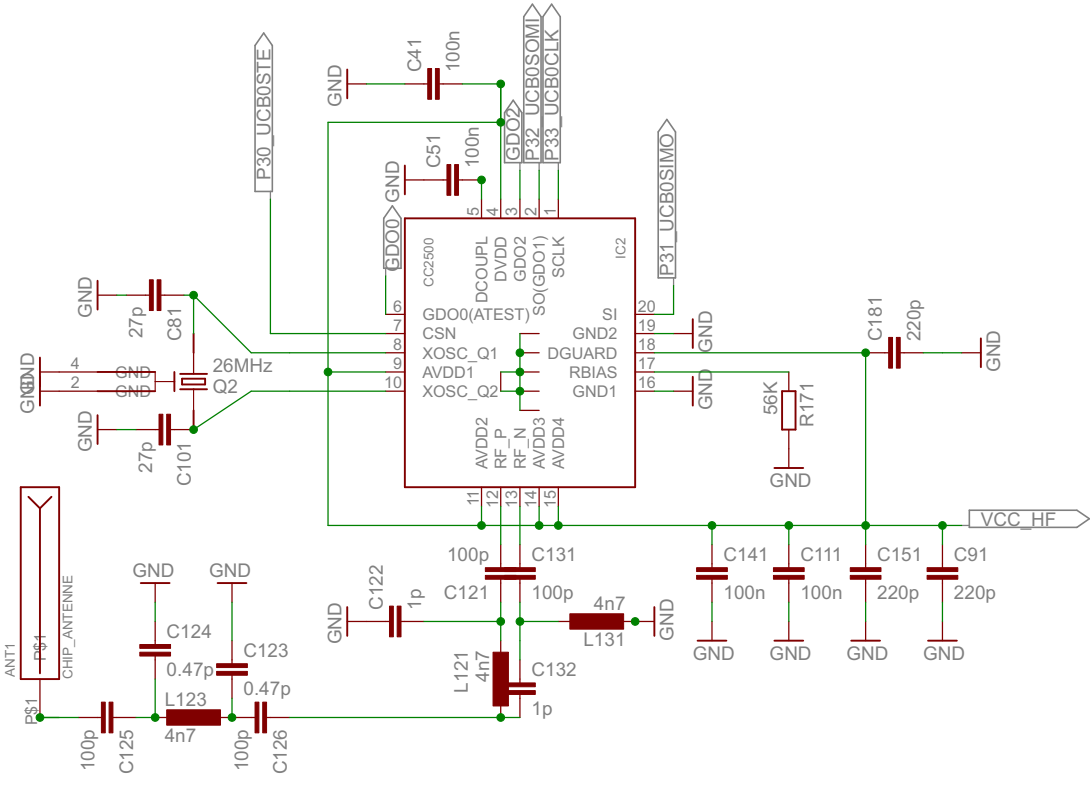


Testpads for production

- | | | | |
|-----|---------------|-----|-----|
| TP1 | TXD0 | TP4 | TDO |
| TP2 | #RST/SBWT DIO | TP5 | TDI |
| TP3 | TEST/SBWTCK | TP6 | TMS |
| TP8 | RXD0 | TP7 | TCK |

- | | | | |
|-----|--------------|-----|--------------|
| P1 | GND | P2 | VCC_EXT |
| P3 | P20 | P4 | P21 |
| P5 | P22 | P6 | P23 |
| P7 | P24 | P8 | P43 |
| P9 | P44 | P10 | P45 |
| P11 | P46 | P12 | GND |
| P13 | GDO0 | P14 | GDO2 |
| P15 | P32_UCB0SOMI | P16 | P33_UCB0CLK |
| P17 | P30_UCB0STE | P18 | P31_UCB0SIMO |



TITLE: e2430-RF2500T_HW-V1.0_20070403	
Document Number:	REV:
Date: 6/21/2007 1:25:22 PM	Sheet: 1/1