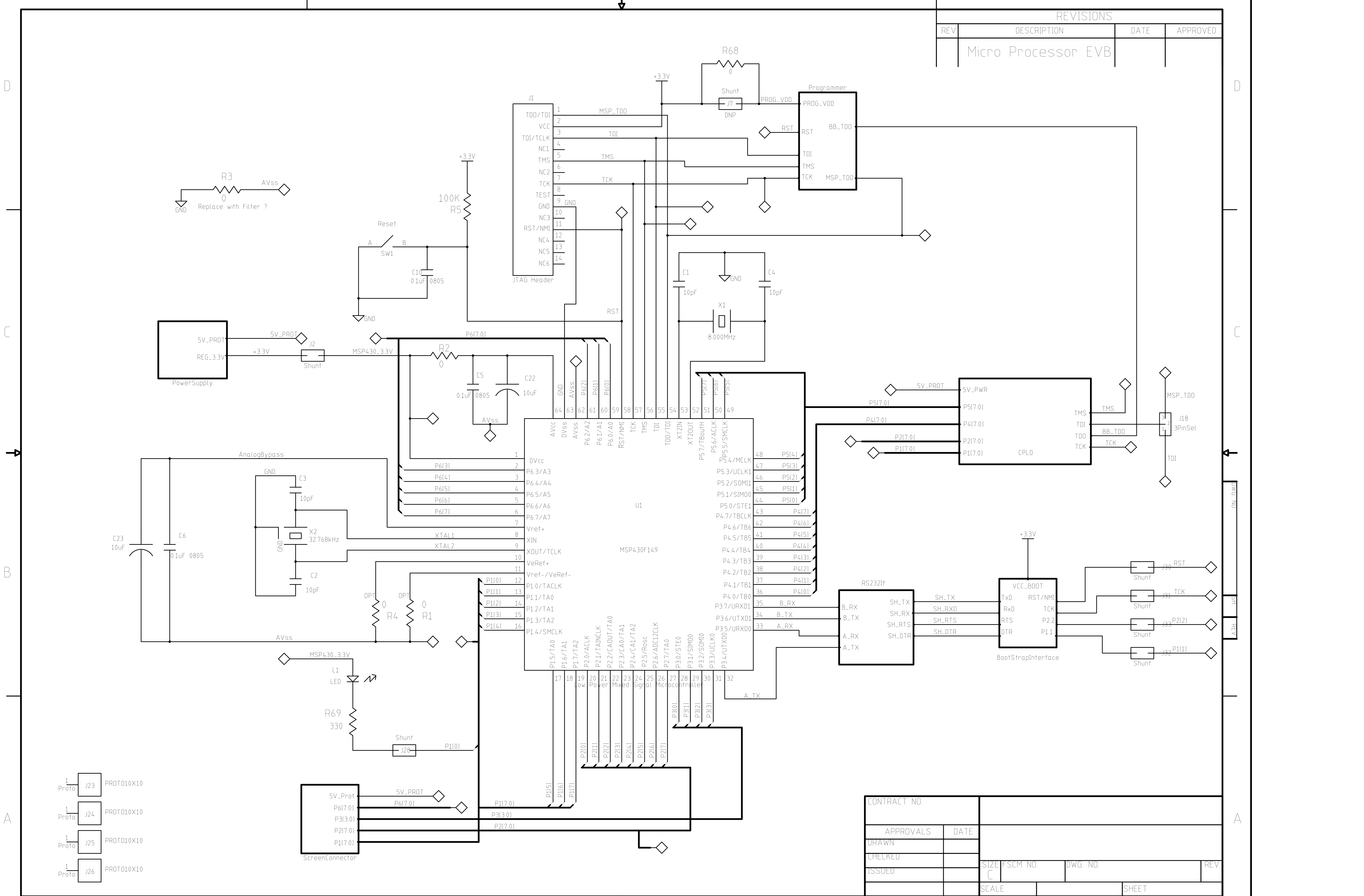
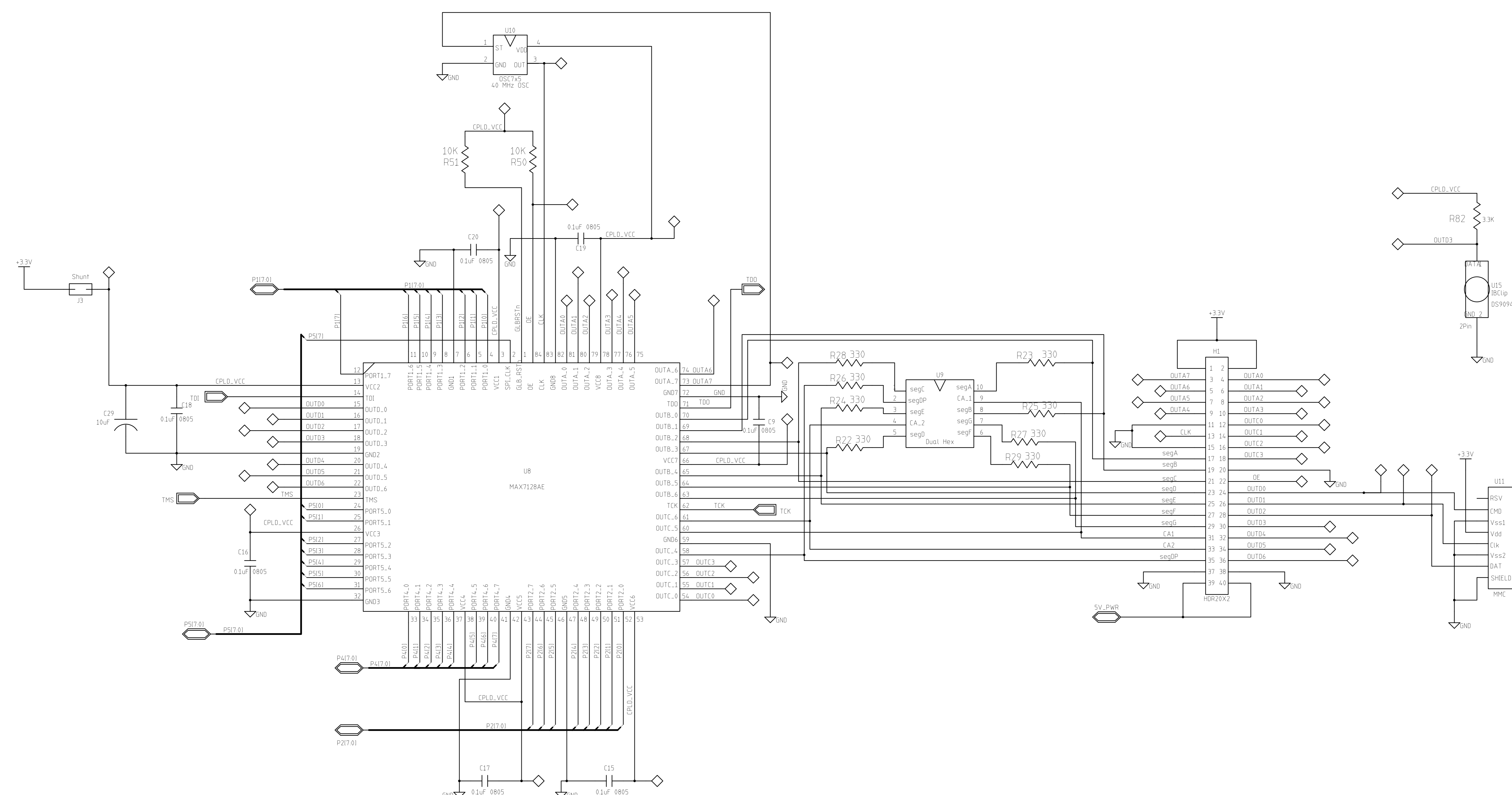


REVISIONS			
REV	DESCRIPTION	DATE	APPROVED
	Micro Processor EVB		



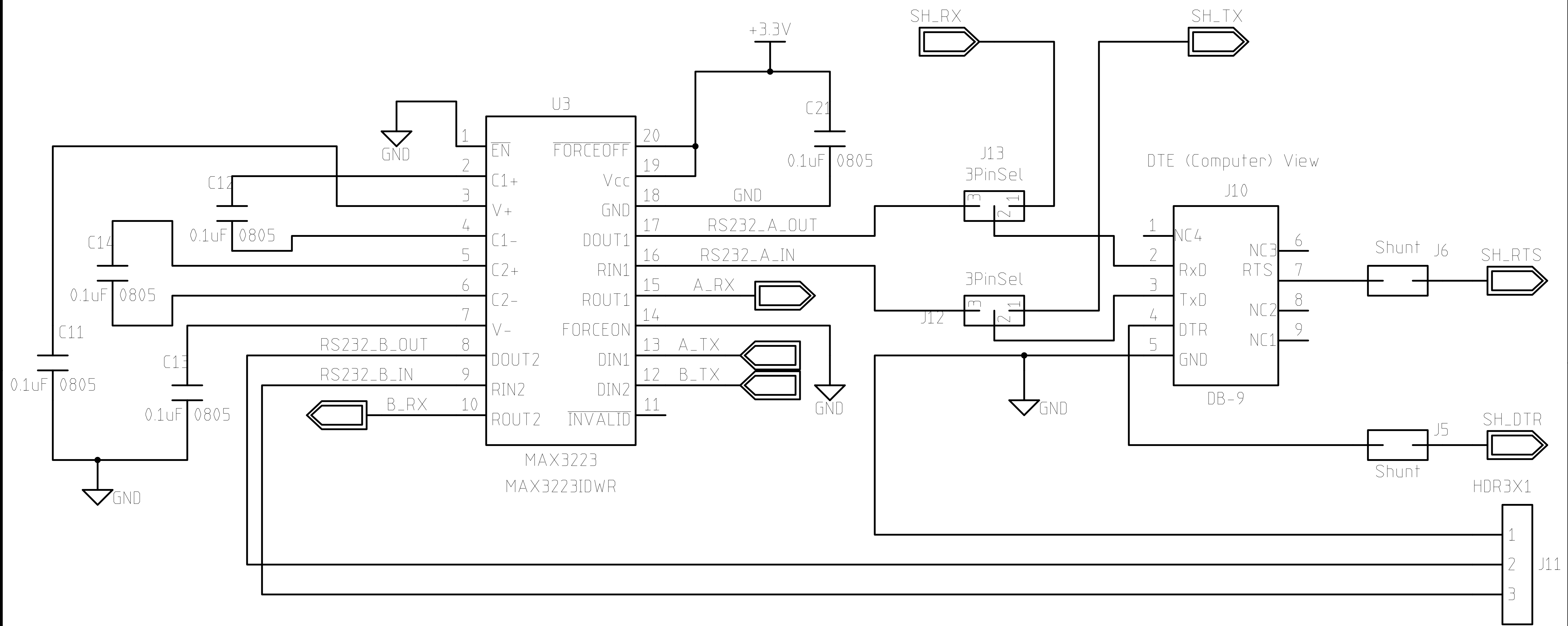
CONTRACT NO.			
APPROVALS	DATE		
DRAWN			
CHECKED		SIZE	FSCM NO.
ISSUED		DWG. NO.	REV
SCALE		SHEET	

REVISIONS			
REV	DESCRIPTION	DATE	APPROVED
	Complex Programmable Logic Device - CPLD		



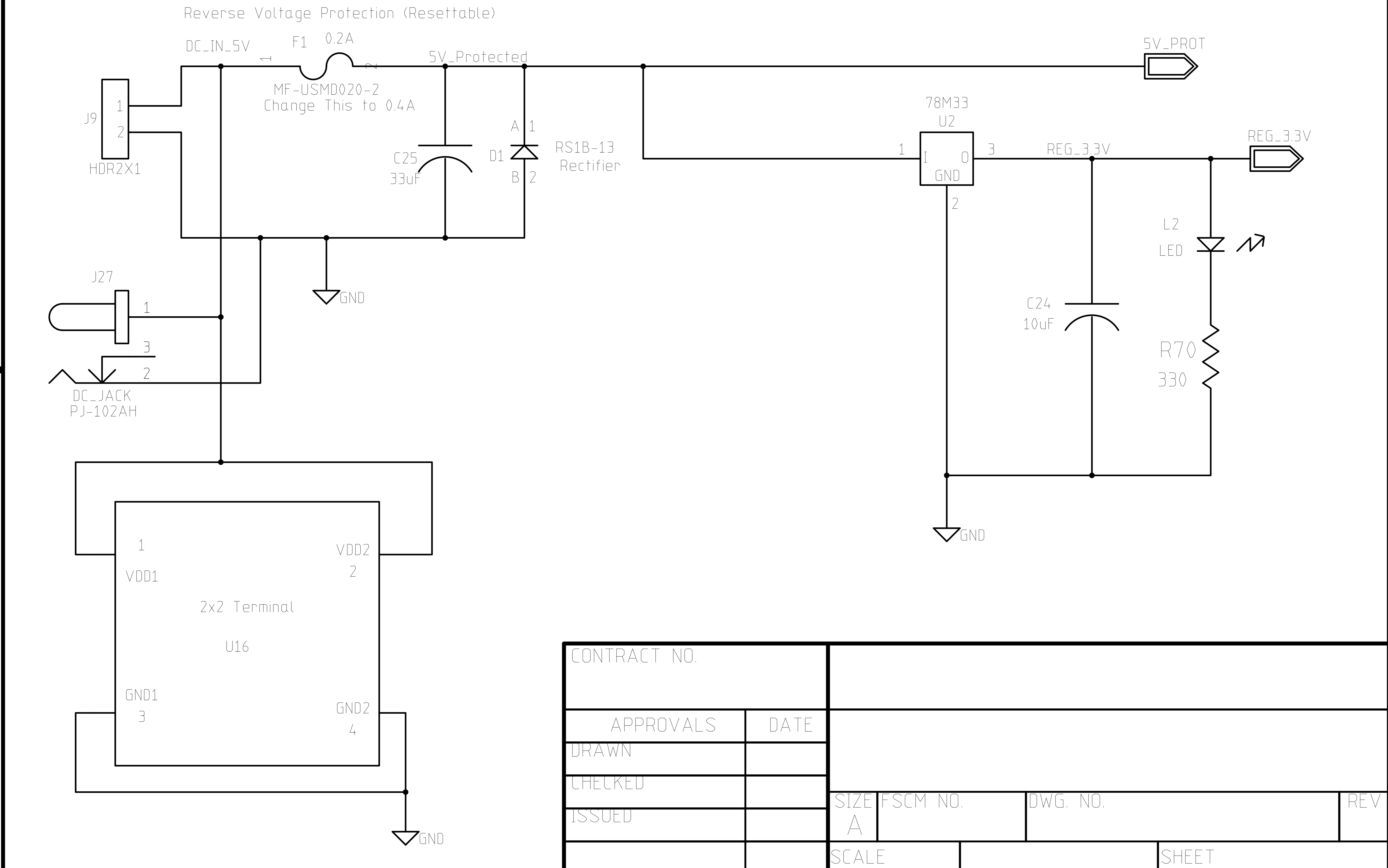
CONTRACT NO.			
APPROVALS	DATE		
DRAWN			
CHECKED			
ISSUED		SIZE FSCR. NO.	DWG. NO.
		D	
		SCALE	SHEET

REVISIONS			
REV	DESCRIPTION	DATE	APPROVED
	RS232 Interface		



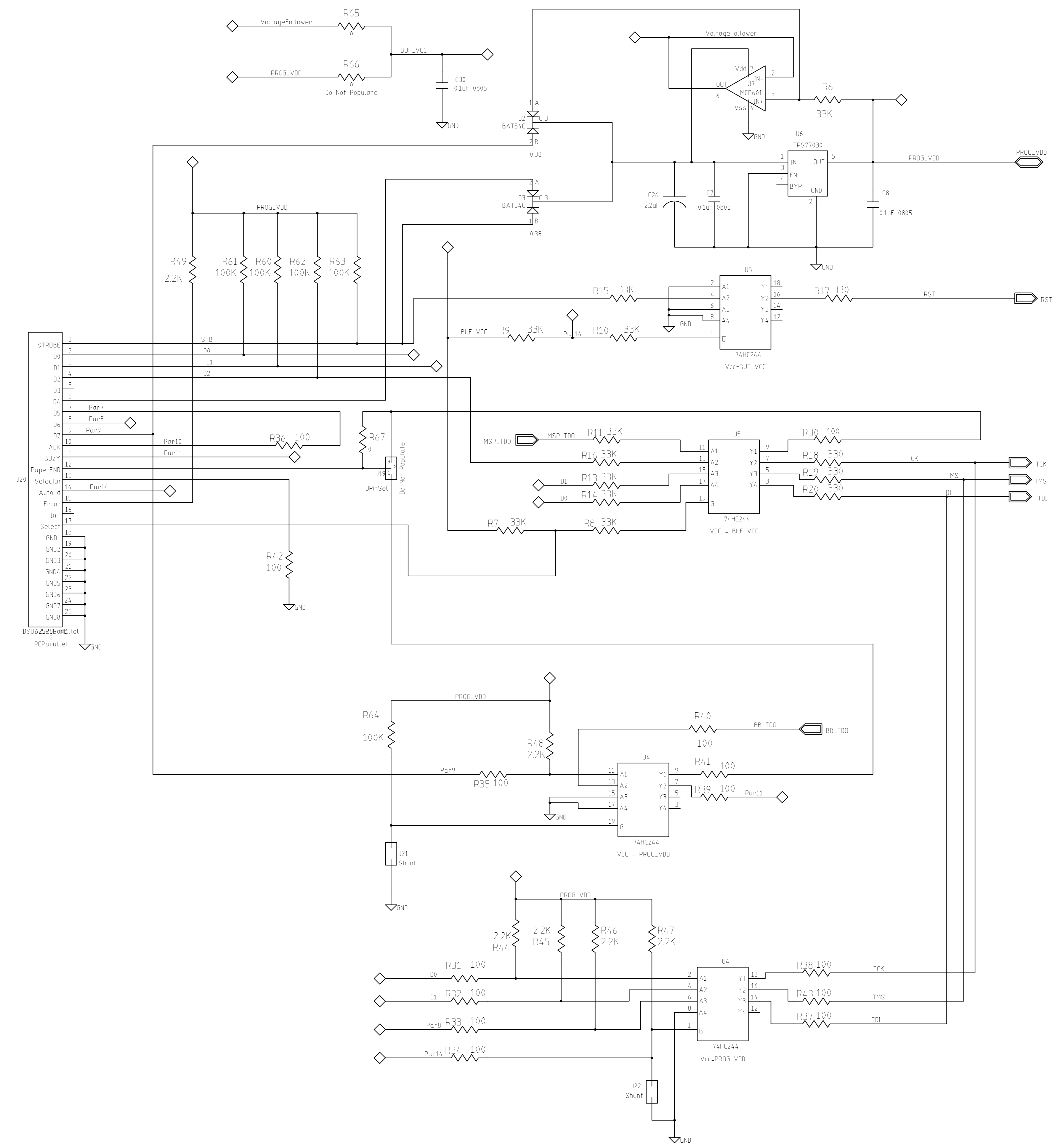
CONTRACT NO.			
APPROVALS	DATE		
DRAWN			
CHECKED			
ISSUED		SIZE	FSCM NO.
		A	
		DWG. NO.	
		REV	
		SCALE	SHEET

REVISIONS			
REV	DESCRIPTION	DATE	APPROVED
	Power Supply		



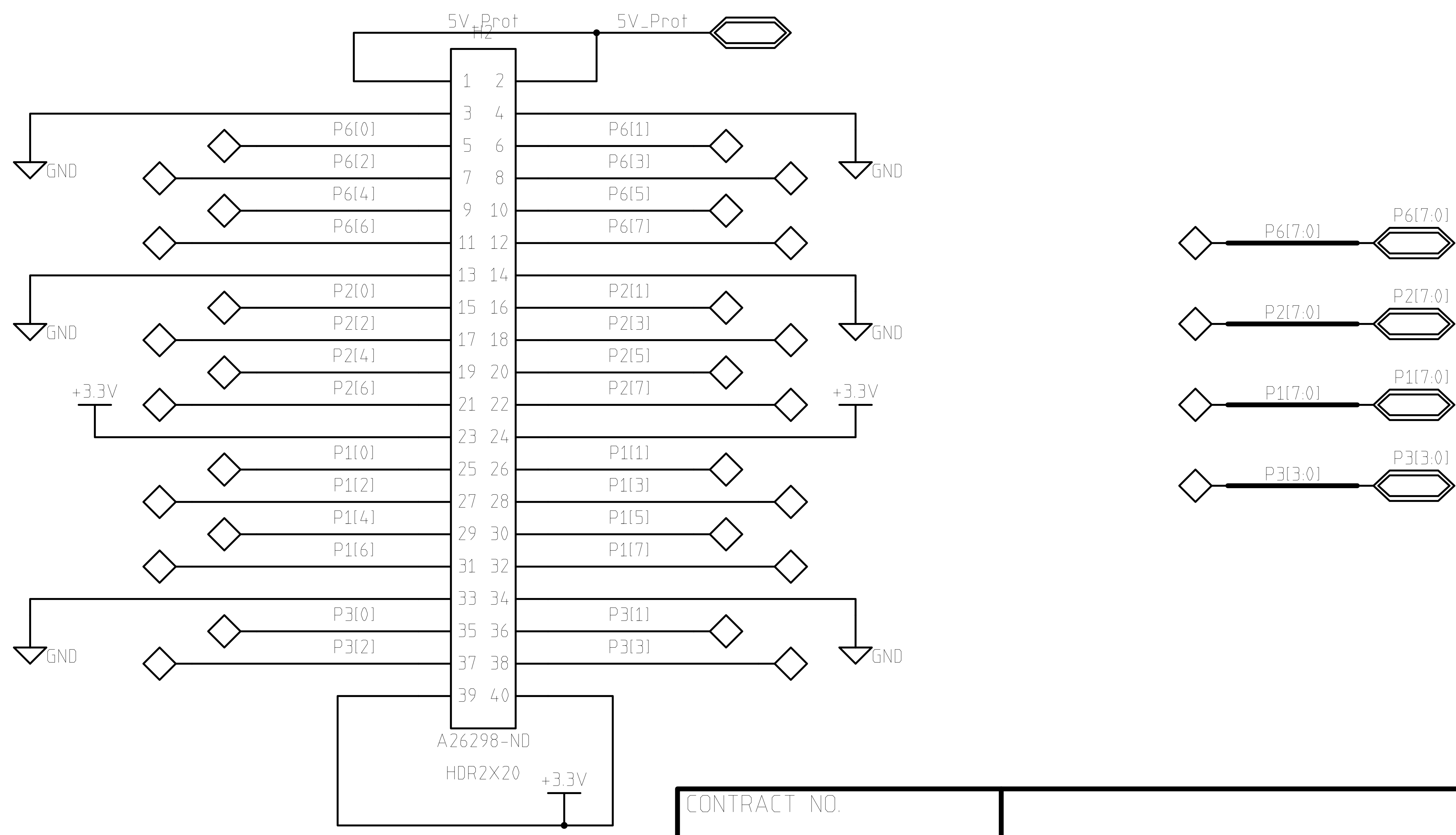
CONTRACT NO.			
APPROVALS	DATE		
DRAWN			
CHECKED			
ISSUED		SIZE A	FSCM NO.
		DWG. NO.	
		REV	
SCALE		SHEET	

REVISIONS			
REV	DESCRIPTION	DATE	APPROVED
	Programmer		



CONTRACT NO.			
APPROVALS	DATE		
DRAWN			
CHECKED			
ISSUED		SIZE FSCR. NO.	DWG. NO.
		D	
		SCALE	SHEET

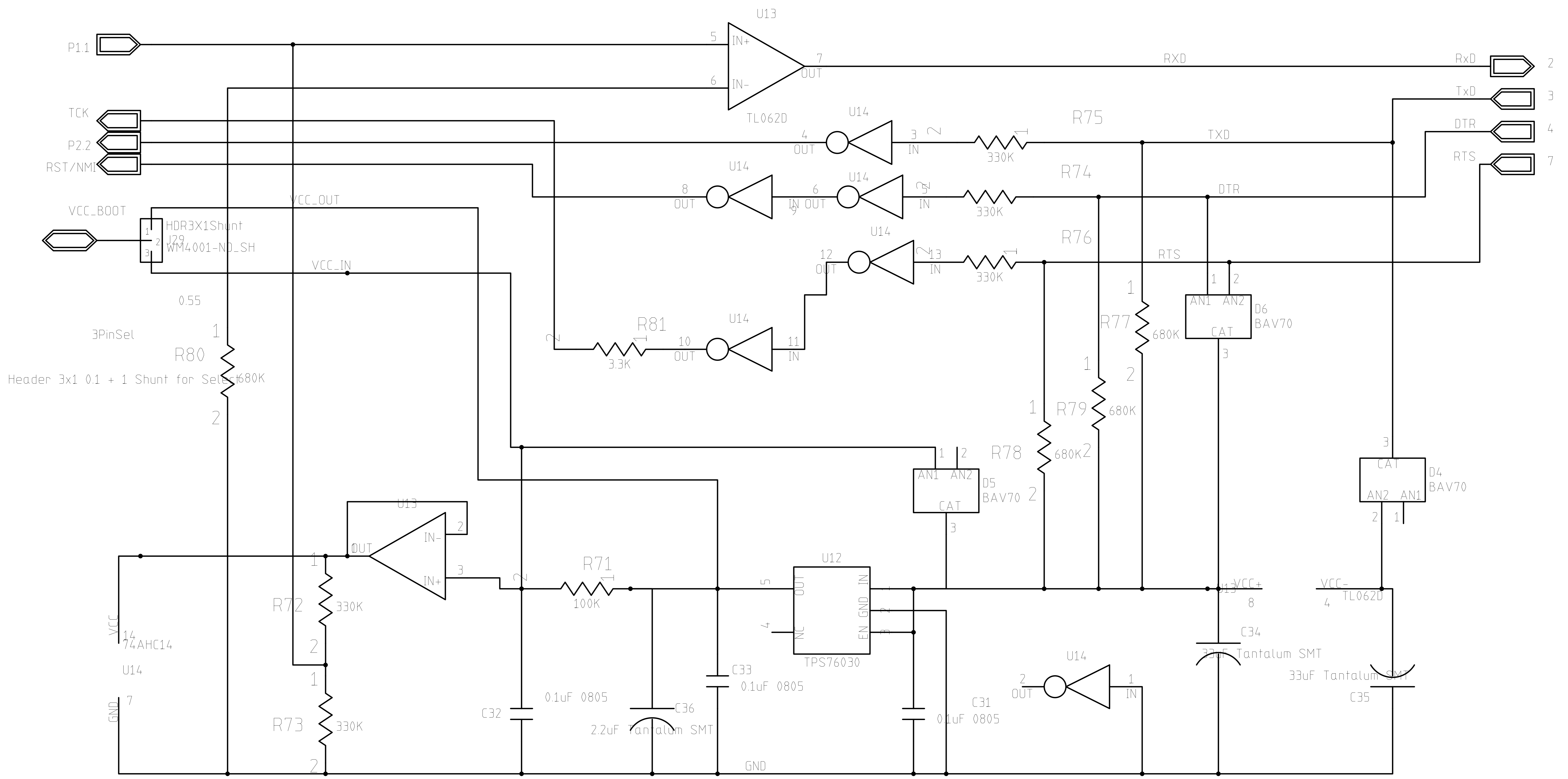
REVISIONS			
REV	DESCRIPTION	DATE	APPROVED
	Screen Connector		



CONTRACT NO.			
APPROVALS	DATE		
DRAWN			
CHECKED			
ISSUED		SIZE A	FSCM NO.
		DWG. NO.	
		REV	
SCALE		SHEET	

DWG. NO. SH. REV

REVISIONS			
REV	DESCRIPTION	DATE	APPROVED
	Bootstrap Interface		



CONTRACT NO.			
APPROVALS	DATE		
DRAWN			
CHECKED			
ISSUED		SIZE	FSCM NO.
		B	
		DWG. NO.	
		REV	
		SCALE	SHEET